

Overview



VIDEO PHONE SYSTEM **DRC-40CK** Color Door Camera

It is designed with Die casting which is not transformed at all and very strong from outside effect and long lasting in function wise.

Features

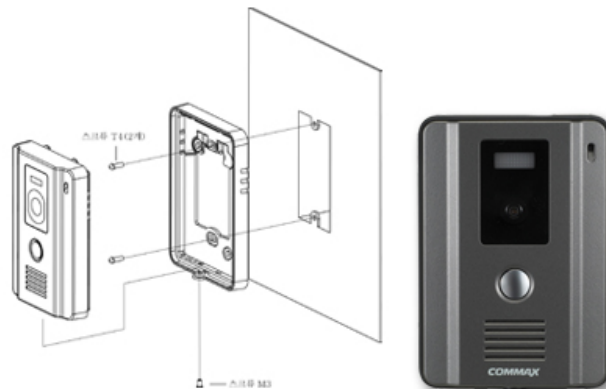


4 Wire Connection

4 wired type Color Door camera allowing to change with old camera

Surface mounted type

Easy to replace from other brand cameras as its surface mounting type



› Power Source	DC14V
› Mounting type	Wall surface mounted type
› Image sensor	C-MOS
› Wiring	4 wires
› Dimension	Without bracket : 93X135X30mm With bracket : 100X142X31mm
› Distance	50m(0.65Φ), 28m(0.5Φ)
› Temperature	-10(°C)~50(°C)

Function



4 wire Color camera



Wall surface mounted type



C-MOS



Illumination: 0 LUX (White LED "ON")



PAL or NTSC Selectable